



Reg. No. :

--	--	--	--	--	--	--	--	--	--	--	--	--	--	--	--	--	--	--	--

Question Paper Code : 42763

B.E./B.Tech. DEGREE EXAMINATION, APRIL/MAY 2018

Seventh/Eighth Semester

Computer Science and Engineering

IT 2403 – SOFTWARE PROJECT MANAGEMENT

(Common to Information Technology)

(Regulations 2008)

(Also common to PTIT 2403 – Software Project Management for B.E. (Part-Time)
– CSE – Seventh Semester – Regulations 2009)

Time : Three Hours

Maximum : 100 Marks

Answer ALL questions

PART – A

(10×2=20 Marks)

1. What is a project ?
2. What is contract management ?
3. Identify the need for Project Evaluation.
4. Give the difference between strategic assessment and technical assessment.
5. What are dummy activities ?
6. What is use of forward pass ?
7. What is earned value analysis ?
8. List the various prioritizing levels to monitor the project.
9. What are the two types of candidates distinguished by Meredith Belbin ?
10. What do you mean by Forming and Storming while becoming a Team ?

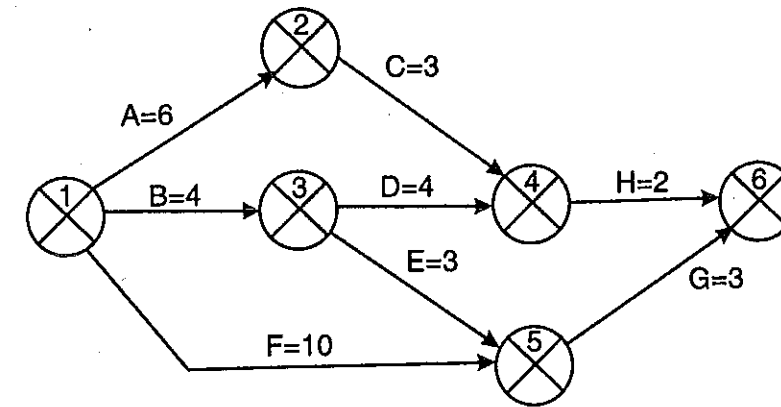


PART – B

(5×16=80 Marks)

11. a) i) Explain the steps in identifying Project scope and objectives. (8)
 ii) Explain about the Product Based Activity Approach with an example. (8)
 (OR)
 b) i) Explain the steps in analyzing the project characteristics. (8)
 ii) What do you mean by work breakdown structure ? Give example. (8)
12. a) What are the entries in risk table ? How to develop a risk table ? Give the commonly used questionnaire for risk analysis. (8)
 (OR)
 b) Discuss in detail about risk mitigation monitoring and management. (8)
13. a) i) Explain the objectives of activity planning. (8)
 ii) Strategies of risk reduction. (8)
 (OR)
 b) The activity network for the given project is specified below. Give the CPM and activity table after backward pass.

Activity	Duration (weeks)	Precedents
A Hardware selection	6	
B Software design	4	
C Install hardware	3	A
D Code and test software	4	B
E File take-on	3	B
F Write user manuals	10	
G User training	3	E, F
H Install and test system	2	C, D



14. a) Discuss about the types of information required for decision making. (8)
 (OR)
 b) Discuss in detail about the change control procedures. (8)
15. a) Elaborate about oldman Hackman job characteristic model. (8)
 (OR)
 b) Elaborate on leadership in organizations. (8)