

Reg. No. :

--	--	--	--	--	--	--	--	--	--	--	--	--	--	--	--	--	--	--	--

Question Paper Code : 80504

B.E./B.Tech. DEGREE EXAMINATION, NOVEMBER/DECEMBER 2016.

First Semester

Civil Engineering

GE 6152 — ENGINEERING GRAPHICS

(Common to all branches)

(Regulations 2013)

Time : Three hours

Maximum : 100 marks

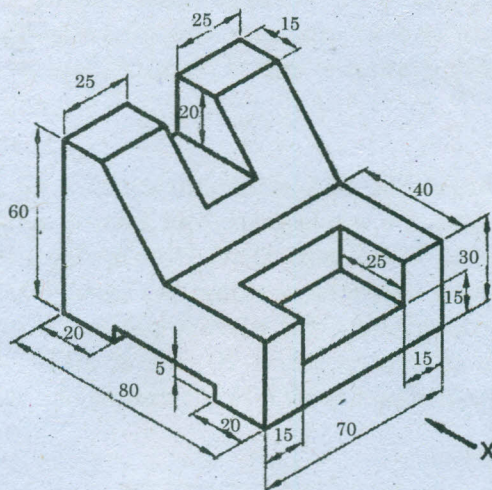
Answer ALL questions.

(5 × 20 = 100)

1. (a) An inelastic string of 150 mm long has its one end attached to the circumference of a circular disc of 40 mm diameter. Draw the curve traced out by the other end of the string when it is completely wound around the disc keeping the string always tight Name the curve obtained. Draw the tangent and normal to the curve at a point distant 100 mm from the centre of the disc.

Or

- (b) Draw the elevation, plan and left side view of the solid shown below.



(All dimensions are in mm)

PART B — (5 × 16 = 80 marks)

11. (a) Explain the steps involved in project planning. (16)

Or

- (b) A public library is considering the implementation of a computer-based system to help administer book loans at libraries.
- (i) Identify the stakeholders. (4)
 - (ii) What are the objectives of the project? (4)
 - (iii) How will the success and failure of the project be measured? (8)

12. (a) Explain how risks are handled in a project. Give example. (16)

Or

- (b) Discuss the cash flow forecasting with different cost-benefit evaluation techniques. (16)

13. (a) (i) Explain the various steps involved in activity planning with its objectives. (8)

- (ii) Illustrate a Network Model? Explain rules for constructing precedence networks? (8)

Or

- (b) Define the term risk. Discuss the issues related to managing the risk. Give example. (16)

14. (a) Explain the types of contracts and their stages in contract placement in detail.

Or

- (b) How do you prioritize the data collection using Earned Value analysis? Discuss with suitable illustrations.

15. (a) (i) How will you ensure that a right person is selected for the job? Explain. (8)

- (ii) Discuss about the different models of motivation. (8)

Or

- (b) Discuss about:

- (i) Organizational structure. (8)

- (ii) Decision making. (8)